

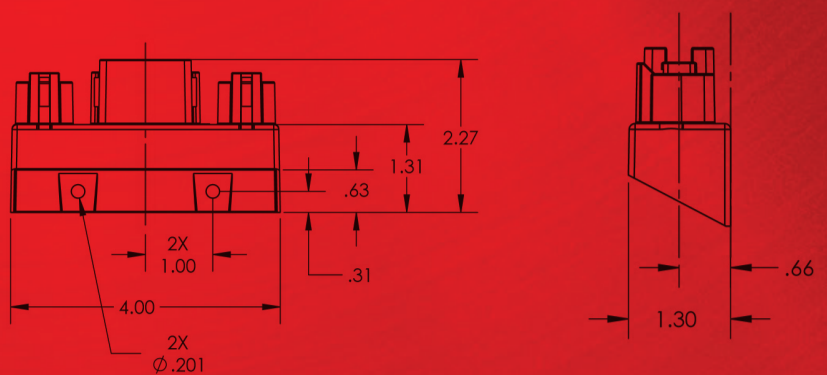
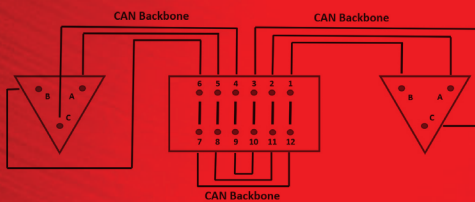
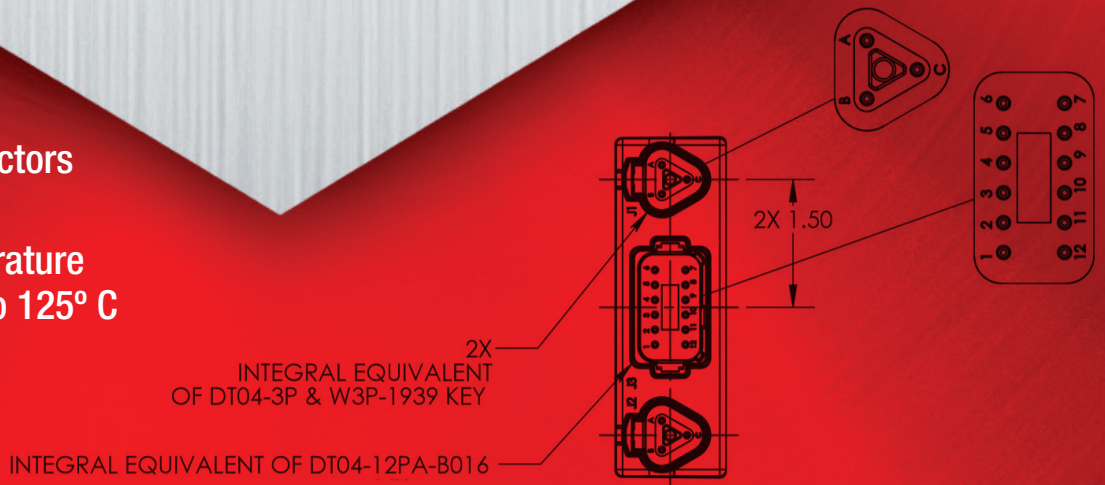
CAN Bus Splitter



Connect multiple devices to the J1939 bus and reduce or eliminate the number of Y adapters and unnecessary harnesses in your bus. Reduces cost, reduces connection points, reduces CAN bus length, reduces weight, and maintains the integrity of the J1939 bus backbone.

Features

- Integrated connectors with gold pins
- Operating temperature range of -40° C to 125° C
- IP67 rating
- Small footprint



TROMBETTA 

DC Power Solutions for a Harsh World

414-410-0300 • trombetta.com

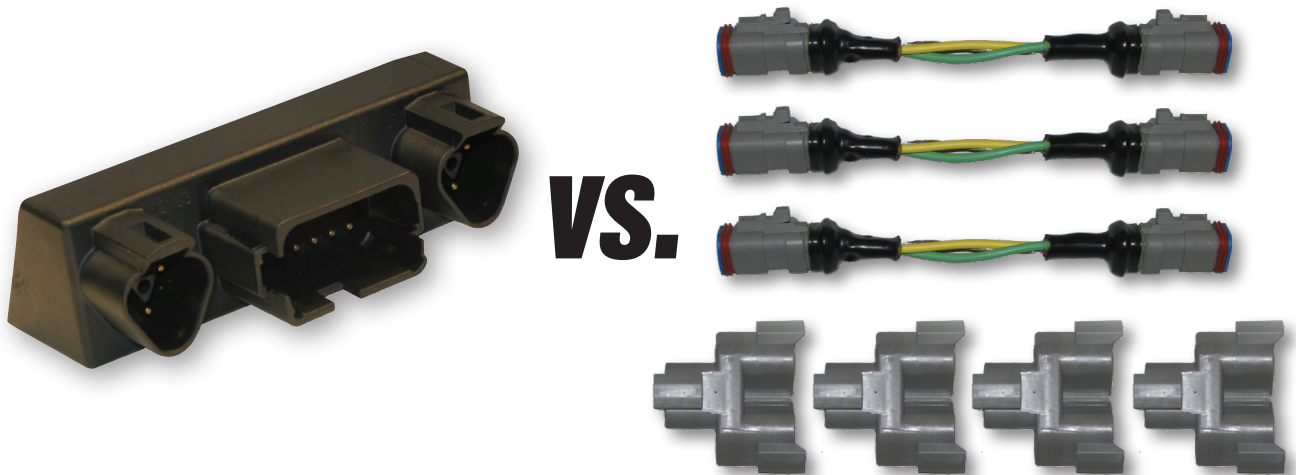
Test Parameters

Thermal Cycle Test	SAE J1455 Section 4.1.3 8-Hour Cycle
Thermal Shock Test	ISO16750-4 Section 5.3.2
Drop Test/ Handling Shock	IEC 60068-2-31 Section 5.1.5.2
Humidity & Temperature Cycling (Thermal Cycling Aging)	SAE J1455 Section 4.2.3, Figure 4A, 8-Hour Cycle
Fluid Compatibility	SAE J1455 Section 4.4
Thermal Shock Immersion	ISO16750-4 Section 5.4.3
Ingress Protection (IP)	IEC 60519, IP67
Vibration-Random	Trombetta profile 5-2000Hz

Mechanical Parameters

Storage Temperature	-40°C to 125°C
Operating Temperature	-40°C to 125°C
Mechanical Shock - Operational	50g
Ingress Protection	IP67
Mating Connector	Deutsch DT06-3S, Deutsch DT06-12SA

One Trombetta CAN Bus Splitter is equivalent to 4 Deutsch Y adapters and 3 harness assemblies!



This product is RoHS 3, REACH and Conflict Free Compliant.

TROMBETTA 
DC Power Solutions for a Harsh World

Rev 12/20